

TECHNICAL SPECIFICATION

LED High bay fixtures – ELBA



Technical data

- Power: 150W
- Nominal voltage: 85V – 265V
- Power supply: low-voltage, direct-current device – driver
- LED type: COB
- Light source: Epistar Taiwan
- Luminous flux: 12000lm
- Color temperature: 5500K
- Protection against dust and moisture : IP64
- Housing: aluminum
- Colour of the housing: grey
- Reflector: aluminum diameter 500mm 120°
- Long life: 30000 hours
- Colour rendering index: Ra≥80
- Ambient temperature: -40°C ÷ +65°C

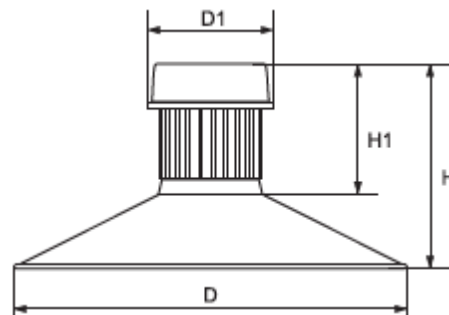
Areas of application

- Commercial
- Sports buildings
- Warehouses
- Production halls

Product benefits

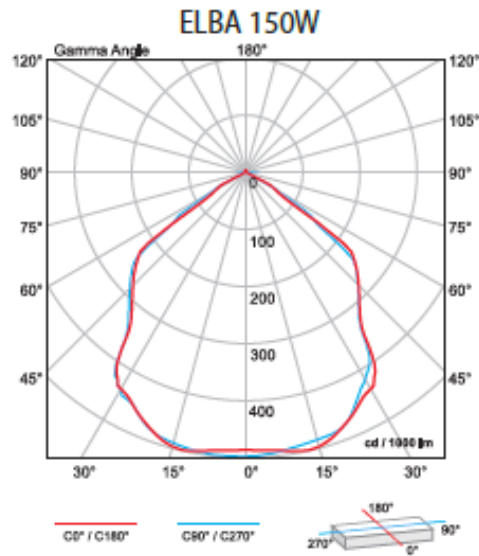
- Efficient replacement of metal halide high bay fixtures
- Safety - low voltage operation
- Homogenous and flicker-free light distribution
- Low power consumption
- Repeated switch on/off does not affect the lifespan of the fixture
- Instant light at maximum luminous flux
- Environmentally friendly - no mercury and lead
- No ultraviolet and infrared rays
- Resistant to shock and vibration stable body

Variants and dimensions

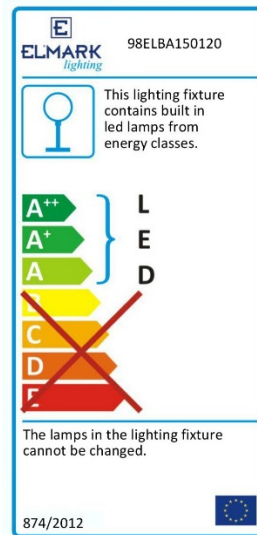


Model	Watt	LED chip lumens (lm)	Whole fixture lumens (lm)	Colour temp. (k)	Colour body	Size				Catalogue number	Packing (pcs)
						D	D1	H	H1		
ELBA150	150W	18000	12000	5500	grey	500	300	470	320	98ELBA150120	1

Luminous distribution curves



Energy efficiency



Barcodes

Barcode	Catalogue number
3800131187871	98ELBA150120

Standards

EN 55015

EN 61000-3-2; EN 61000-3-3

EN 61547

EN 61000-4-2; EN 61000-4-4; EN 61000-4-5; EN 61000-4-8; EN 61000-4-11

